

10' EASEMENT PER GOLDSMITH LAND DEVELOPMENT SERVICES

PROPOSED 72" HEIGHT CEDAR FENCE WITH 5' WIDE GATE AT THIS LOCATION

EXISTING NEIGHBORS FENCE

EXISTING NEIGHBORS FENCE

NOTE: SHADING INDICATES NEW FENCING DEVIATION

PROPERTY LINE

PROPERTY LINE

72" CEDAR FENCING

NOTE: SHADING INDICATES NEW FENCING DEVIATION

20' OFF SET FROM R.O.W.

3' METAL RAILING

EXISTING RETAINING WALLS

72" CEDAR FENCING

EDGE OF EXISTING ASPHALT

MASONRY GATE COLUMN WITH 72" HEIGHT GATES

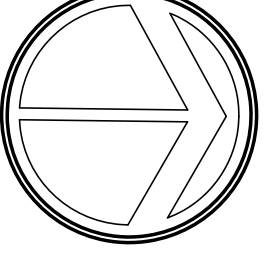
ROAD CENTERLINE

CALL BOX

MASONRY GATE COLUMN WITH 72" HEIGHT GATES

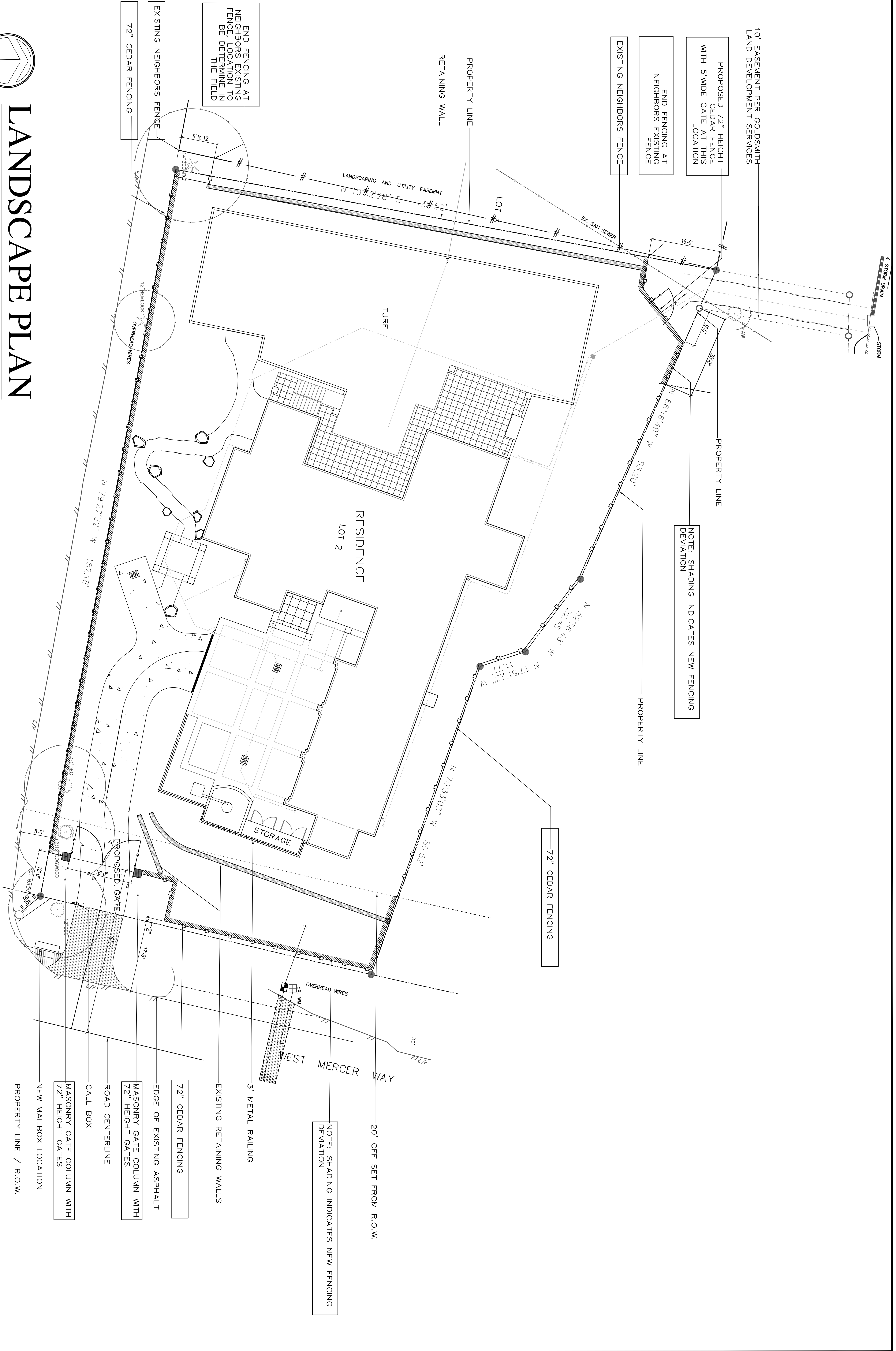
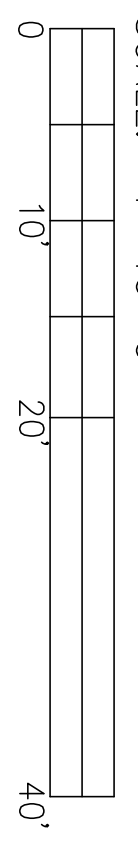
NEW MAILBOX LOCATION

PROPERTY LINE / R.O.W.



# LANDSCAPE PLAN

SCALE: 1"=10'-0"

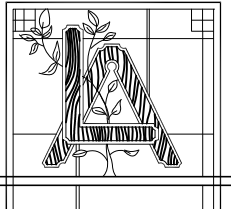


By

Revisions



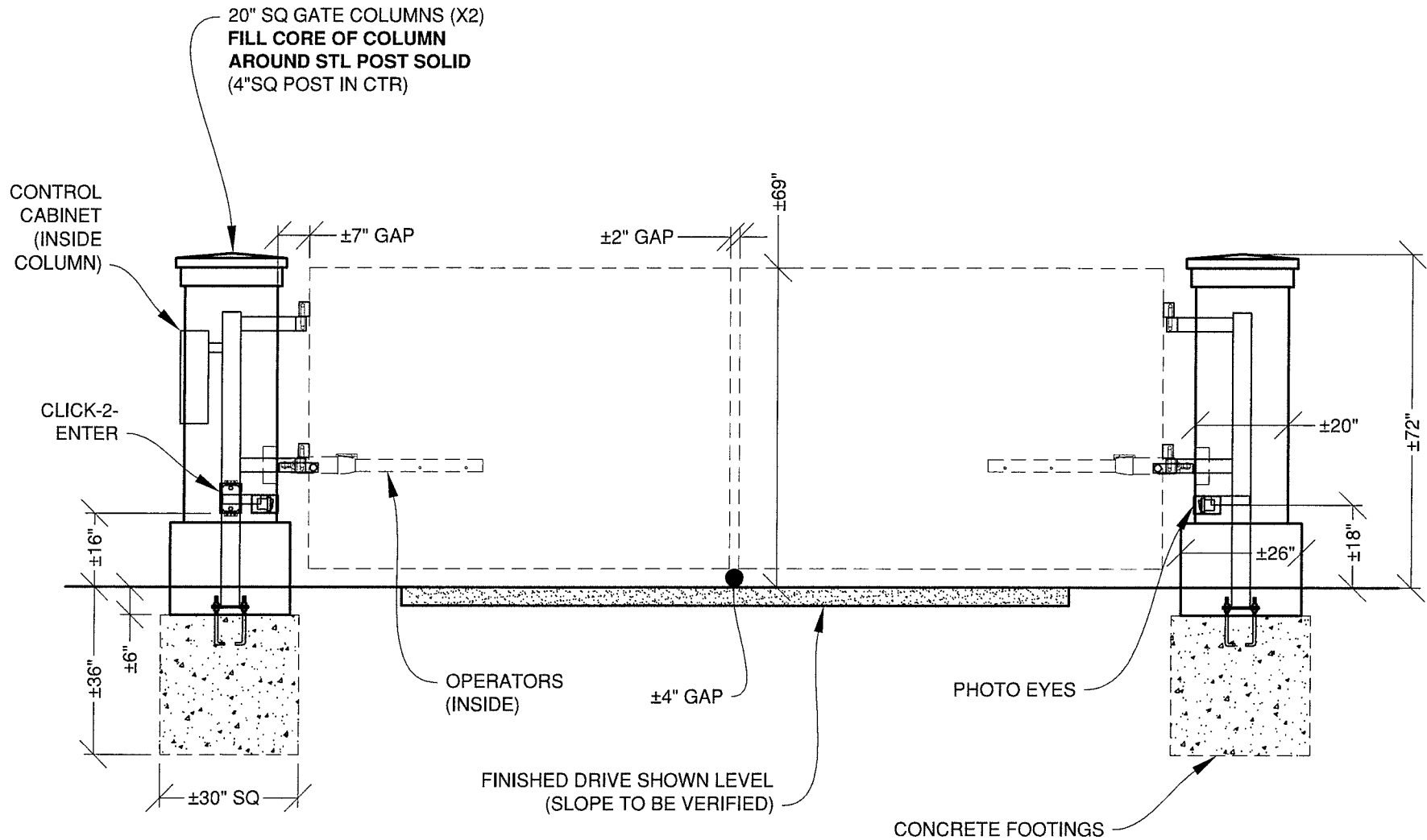
Lane & Associates  
Landscape Architecture



**Velamoor Residence**  
Mercer Island, Washington

FENCING PLAN

DATE: 2016  
SCALE: 1"=10'-0"  
DRAWN: BC  
DATE: 29-2014  
SHEET: 29  
PROJECT: RA-1  
C:\1 Sheets



FINISH: ALL STEEL PARTS TO BE SATIN POLYURETHANE OVER EPOXY PRIMER.  
 COLOR: SHERWIN-WILLIAMS PR0151 PELLA BROWN  
 TOLERANCE: ALL "GAPS" TO BE ±1/2". ALL OTHER DIMENSIONS ±1/4" UNLESS NOTED.

**GATE OUTLINE**

SCALE 3/8" = 1'-0"



JOB NAME: VELAMOOR

DATE: 03/09/17

REVISED: #

DRAWN BY: LF

PAGE: 0

Automated Gates & Equipment Co.

10847 E. Marginal Way So., Seattle, WA. 98168

PH 206-767-9080

FX 206-767-9077

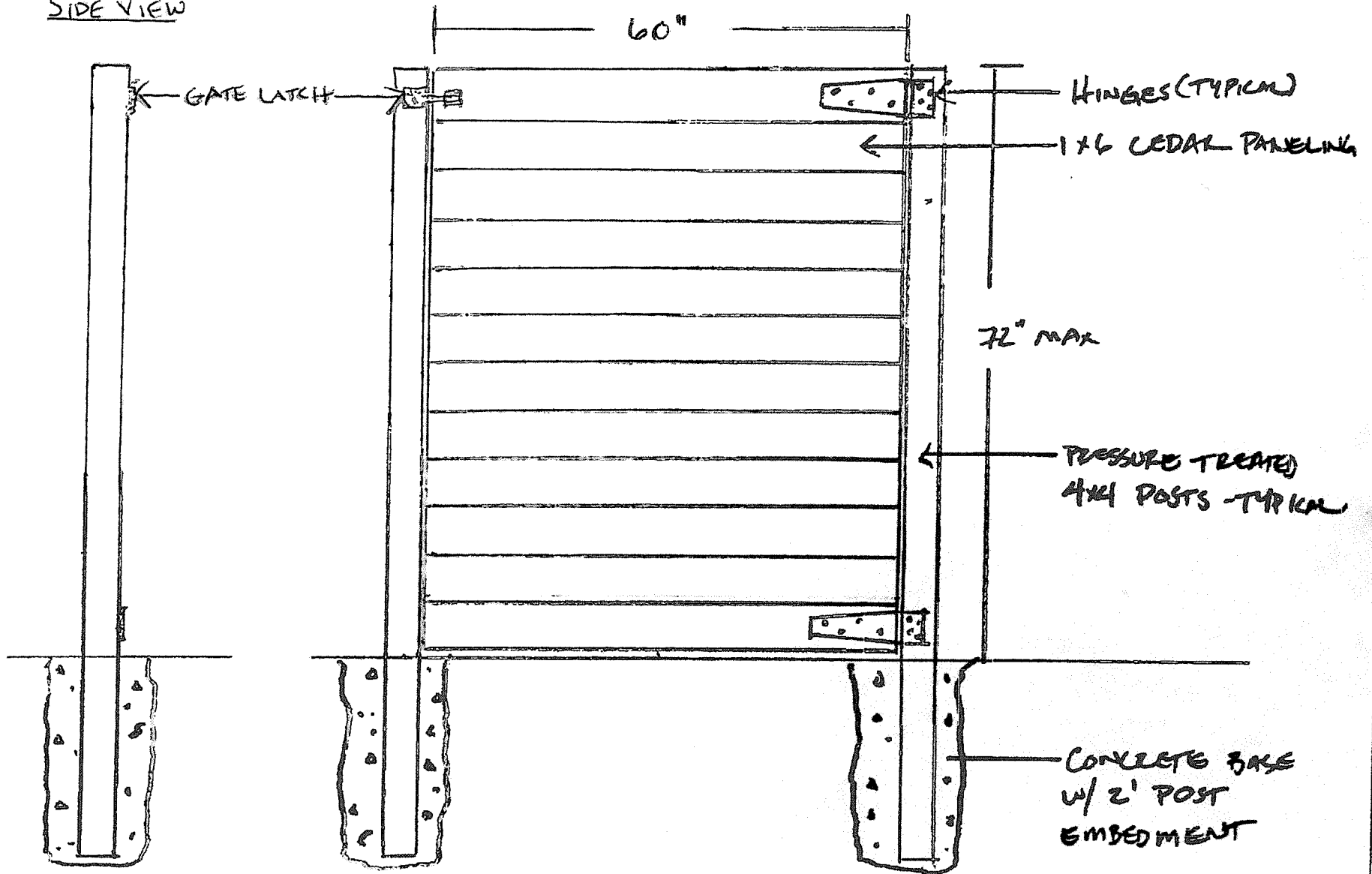
www.aegates.com

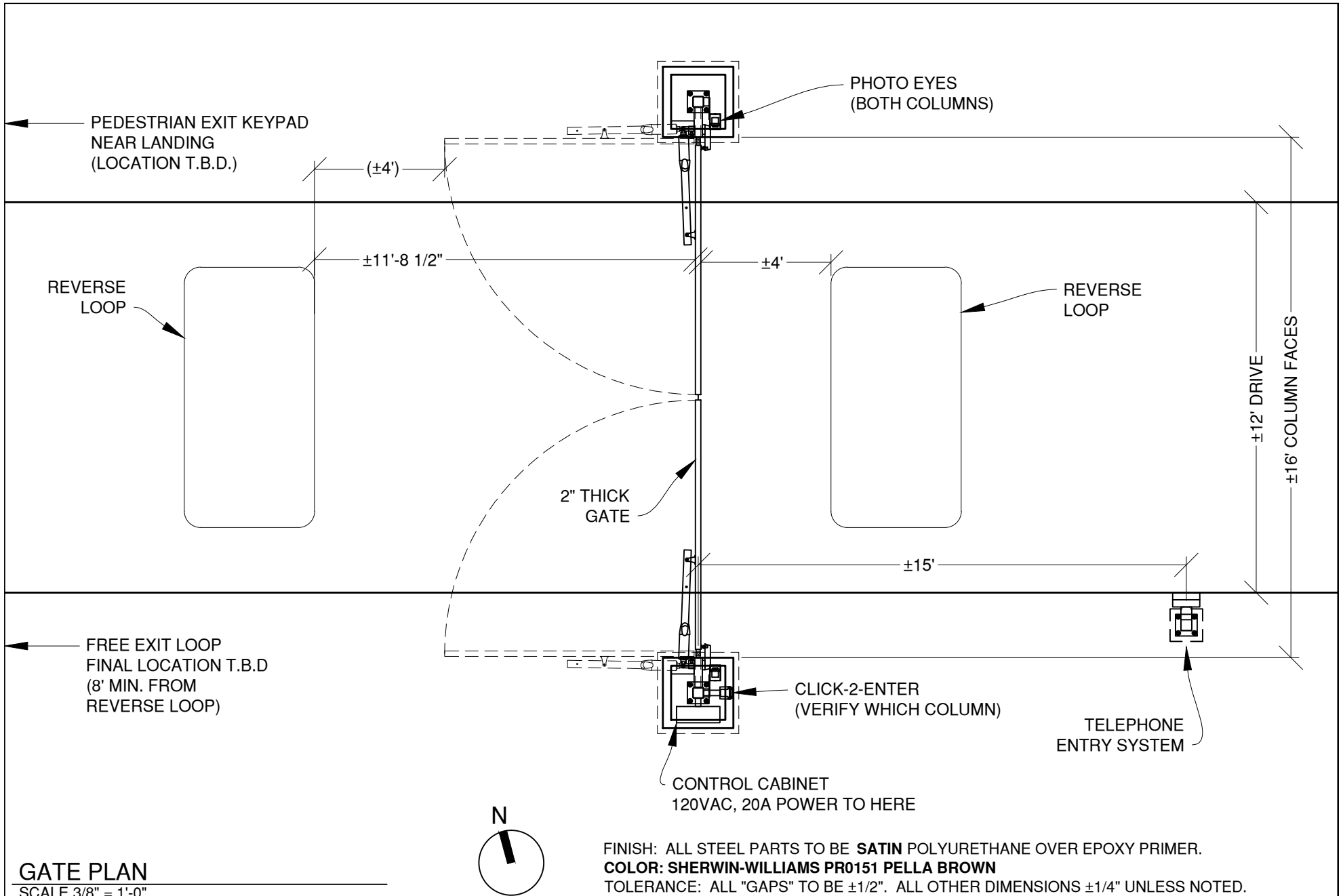
# VELAMOOD WOOD GATE DETAIL

SCALE: 3/4" = 1'-0"

FACE VIEW

SIDE VIEW





**GATE PLAN**

SCALE 3/8" = 1'-0"



JOB NAME: VELAMOOR

DATE: 01/11/17 REVISED: 01/25/17 DRAWN BY: LF PAGE: 1

Automated Gates & Equipment Co.

10847 E. Marginal Way So., Seattle, WA. 98168

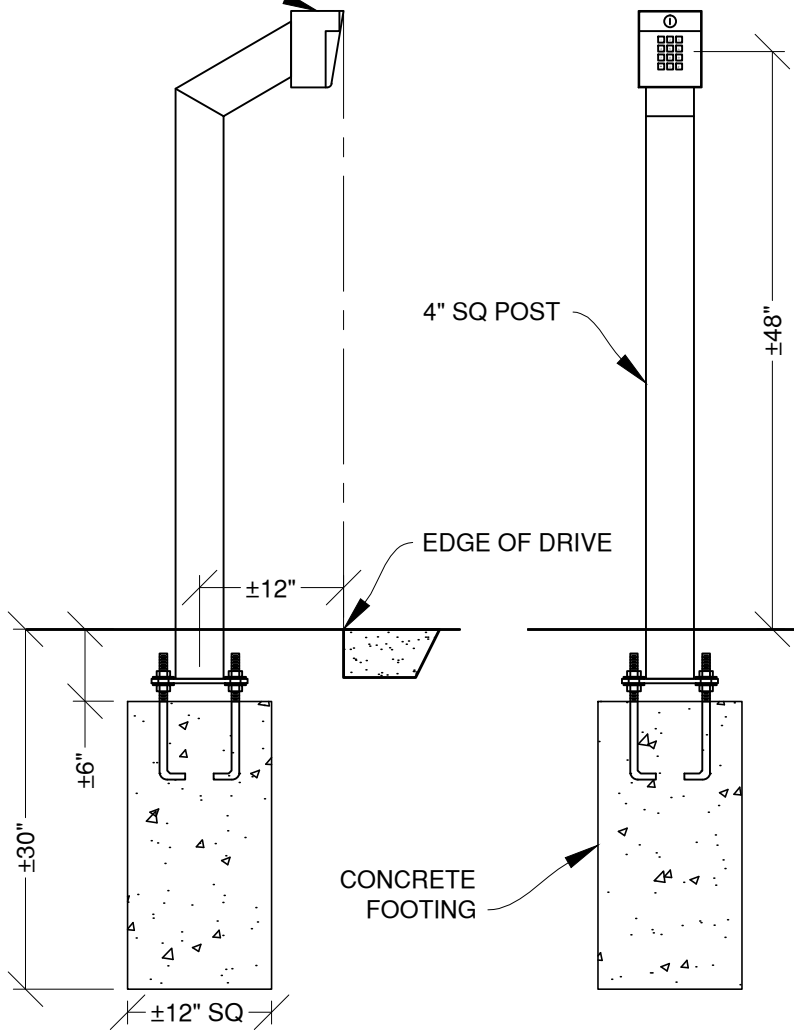
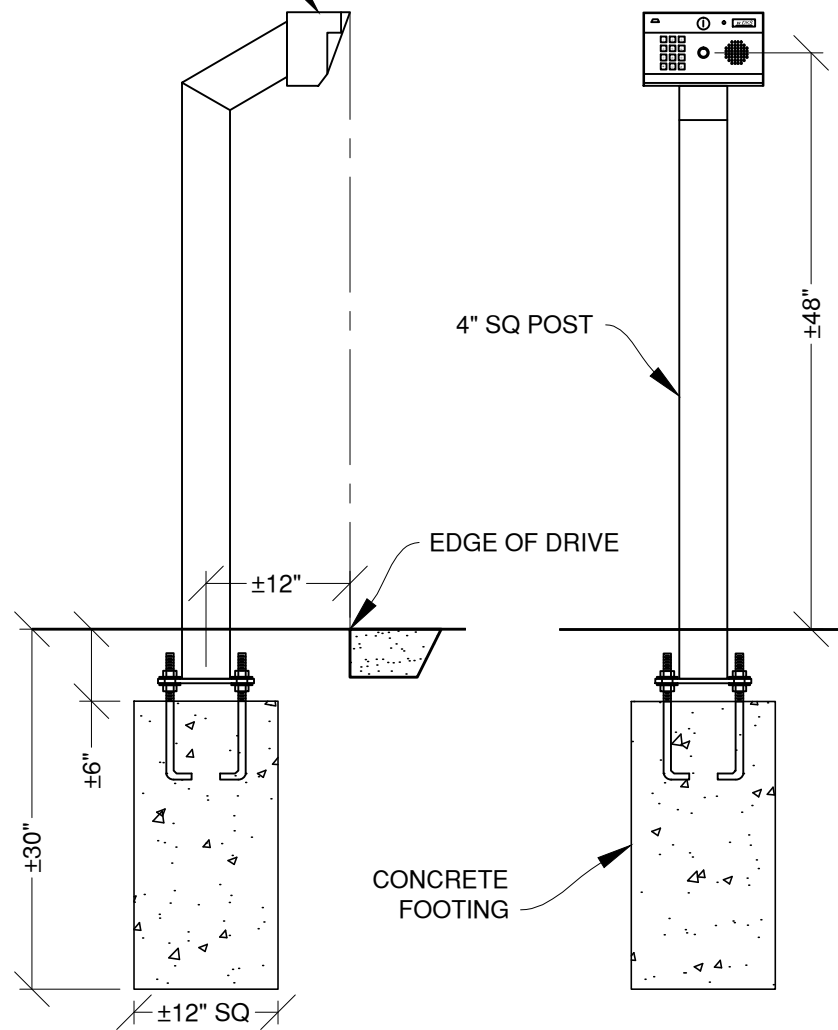
PH 206-767-9080

FX 206-767-9077

www.aegates.com

DOORKING 1812-081

DOORKING SLAVE  
KEYPAD



ENTRY PEDESTAL

EXIT PEDESTAL

**ENTRY AND EXIT PEDESTALS**

SCALE 3/4" = 1'-0"

FINISH: ALL STEEL PARTS TO BE **SATIN POLYURETHANE** OVER EPOXY PRIMER.

COLOR: **SHERWIN-WILLIAMS PR0151 PELLA BROWN**

TOLERANCE: ALL "GAPS" TO BE  $\pm 1/2"$ . ALL OTHER DIMENSIONS  $\pm 1/4"$  UNLESS NOTED.



JOB NAME: VELAMOOR

DATE: 01/11/17 REVISED: 01/25/17 DRAWN BY: LF

PAGE: **3**

Automated Gates & Equipment Co.

10847 E. Marginal Way So., Seattle, WA. 98168

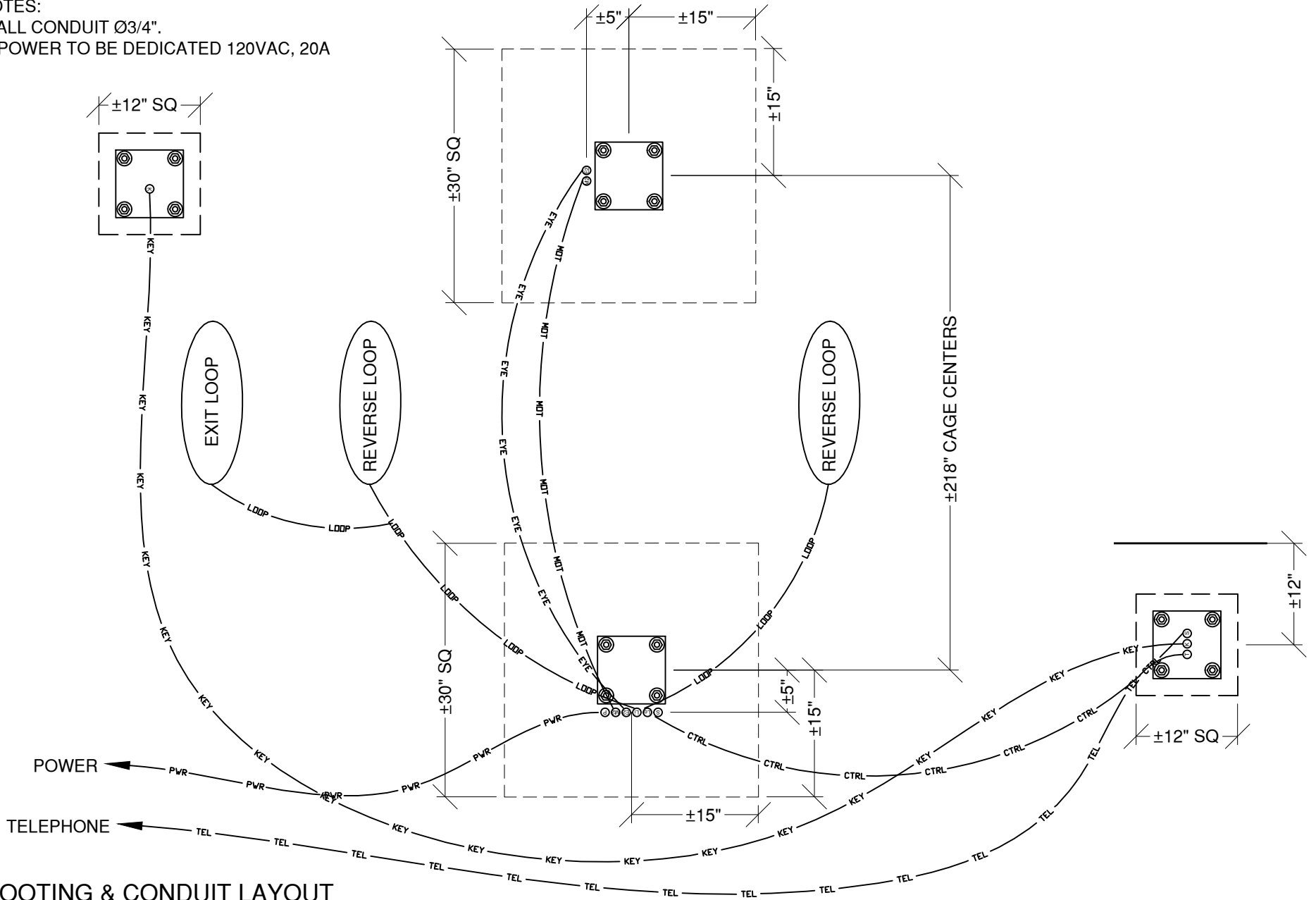
PH 206-767-9080

FX 206-767-9077

www.aegates.com

NOTES:

1. ALL CONDUIT Ø3/4".
2. POWER TO BE DEDICATED 120VAC, 20A



**FOOTING & CONDUIT LAYOUT**

SCALE 3/4" = 1'-0"



JOB NAME: VELAMOOR

DATE: 01/11/17 REVISED: 01/25/17 DRAWN BY: LF

PAGE: **4**

Automated Gates & Equipment Co.

10847 E. Marginal Way So., Seattle, WA. 98168

PH 206-767-9080

FX 206-767-9077

www.aegates.com

VELAMOUR FENCE DETAIL SCALE:  $\frac{3}{4}'' = 1'-0''$

SIDE VIEW

FACE VIEW

